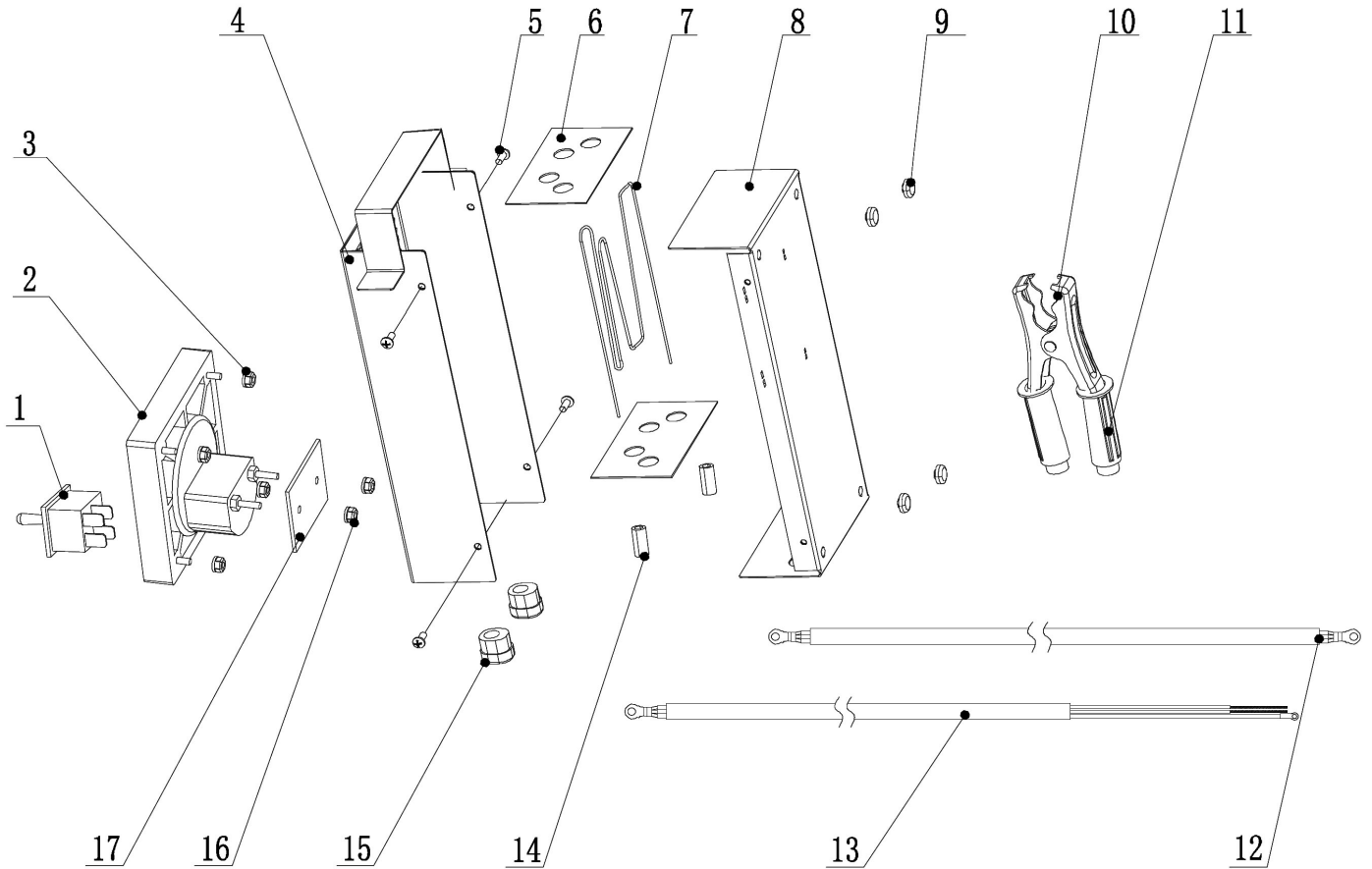




Parts Information:
**Professional Battery Drop Tester 6/12V -
 Polarity Free**
Model No: BT91/7PF.V2



Item	Part No.	Description
1	BT91-7PFV2-01	Toggle Switch
2	BT91-7PFV2-02	Voltmeter
3	BT91-7PFV2-03	Nut
4	BT91-7PFV2-04	Upper Case
5	BT91-7PFV2-05	Screw
6	BT91-7PFV2-06	Insulation Sheet
7	BT91-7PFV2-07	Resistance
8	BT91-7PFV2-08	Bottom Case
9	BT91-7PFV2-09	Rubber Foot

Item	Part No.	Description
10	BT91-7PFV2-10	Clamp
11	BT91-7PFV2-11	Handle Grip
12	BT91-7PFV2-12	Cable 0.46m
13	BT91-7PFV2-13	Cable 0.52m
14	BT91-7PFV2-14	Tube
15	BT91-7PFV2-15	Cable Grip
16	BT91-7PFV2-16	Nut
17	BT91-7PFV2-17	PCB

NOTE: It is our policy to continually improve products and as such we reserve the right to alter data, specifications and component parts without prior notice. There may be alternative versions of this product, please contact us should you require this information.

IMPORTANT: No liability is accepted for incorrect use of product. Spare parts must be fitted by a competent person

WARRANTY: Guarantee is 12 months from purchase date, proof of which will be required for any claim.

Sealey Group, Kempson Way, Suffolk Business Park, Bury St Edmunds, Suffolk. IP32 7AR



01284 757500



01284 703534



sales@sealey.co.uk



www.sealey.co.uk